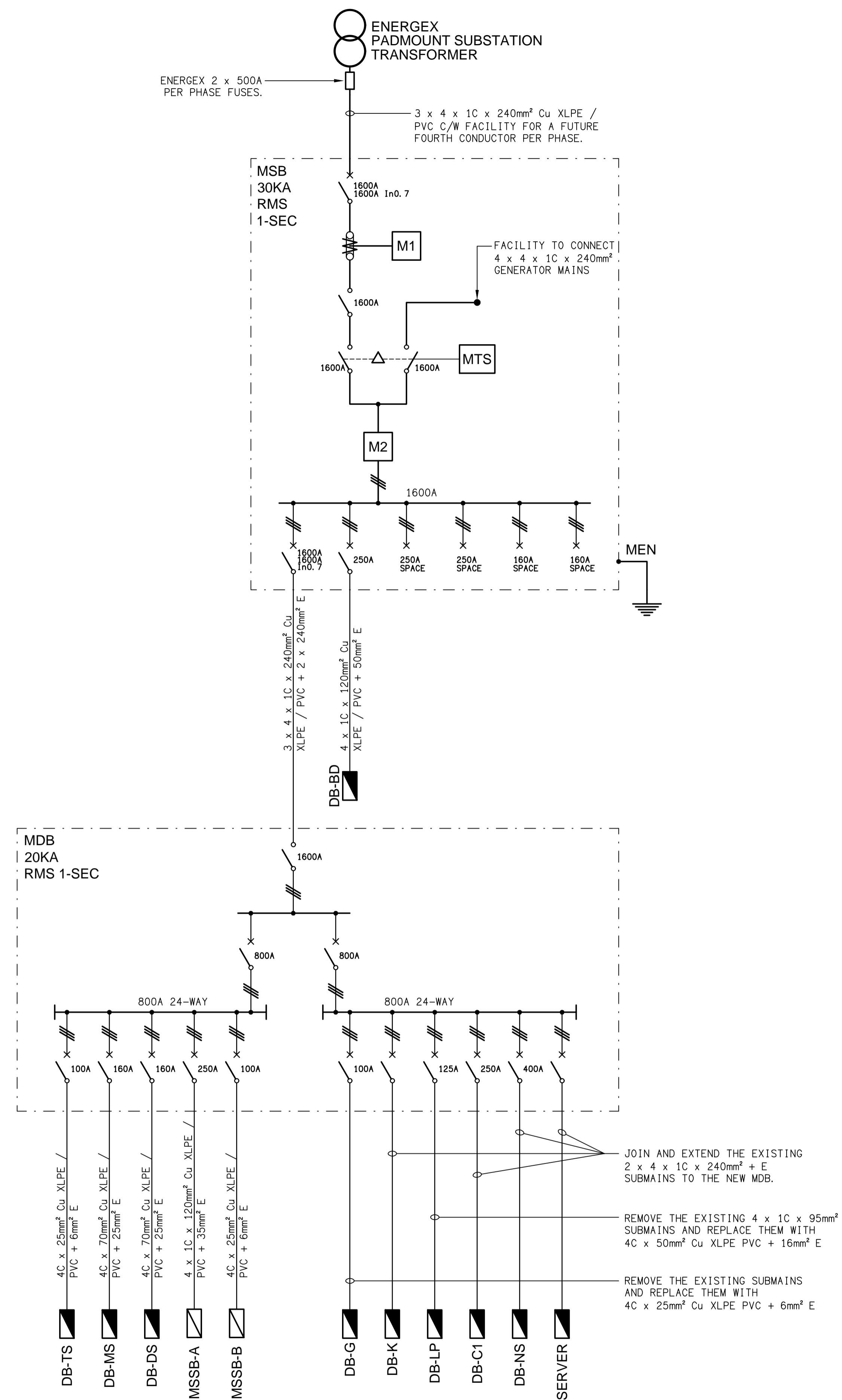


EXISTING SCHEMATIC
POWER CONFIGURATION
NOT TO SCALE



PROPOSED SCHEMATIC
POWER CONFIGURATION
SCALE 1: 100

ELECTRICAL DESIGN GROUP BRISBANE
PTY LTD
ACN 092 710 793
TRADING AS:
ELECTRICAL DESIGN GROUP

THE COPYRIGHT OF THIS DRAWING
REMAINS THE PROPERTY OF THE
ELECTRICAL DESIGN GROUP.
USE FIGURED DIMENSIONS
IN PREFERENCE TO SCALE.
ALL DIMENSIONS TO BE
VERIFIED ONSITE.

ELECTRICAL DESIGN GROUP
ELECTRICAL BUILDING SERVICES CONSULTANTS
BRISBANE GOLD COAST

P.O. Box 15, Sherwood Q.4075
Phone: (07) 3278 4375
Email: brisbane@edg.net.au
Web: www.edg.net.au

PROJECT:
**KINGS CHRISTIAN COLLEGE - REEDY CREEK
GLAs & STUDENT SERVICES KCC49**

68 GEMVALE ROAD, REEDY CREEK, QUEENSLAND

| | | |
|------|--------------|------------|
| A | PRELIMINARY | 09/07/2024 |
| REV: | DESCRIPTION: | DATE: |

DRAWING:
**ELECTRICAL SERVICES
POWER SCHEMATICS**

SCALE:
NOT TO SCALE AT A1

PROJECT NO:
C2717a

DRAWING NO:
E13

REVISION:
A